

TYPICAL STORM INLET

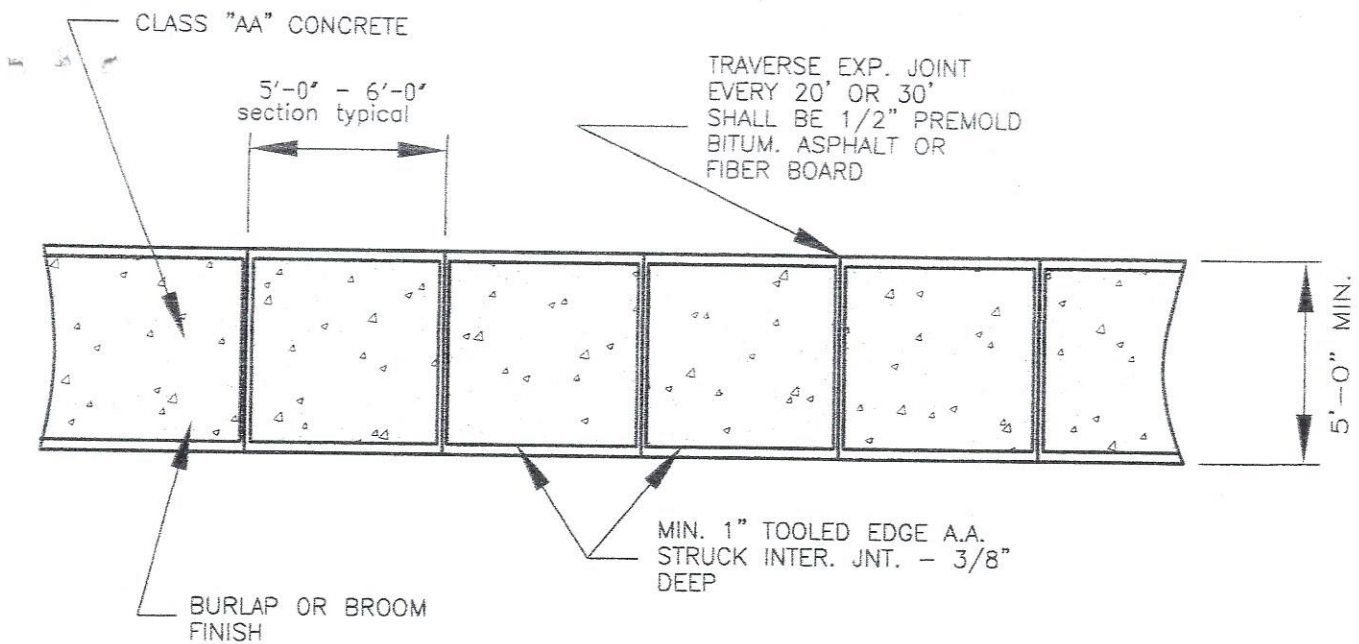
N.T.S.

DESIGN BY: R.A.D.	CHECKED BY: R.E.Z.	DATE: 11/06/01
-------------------	--------------------	----------------

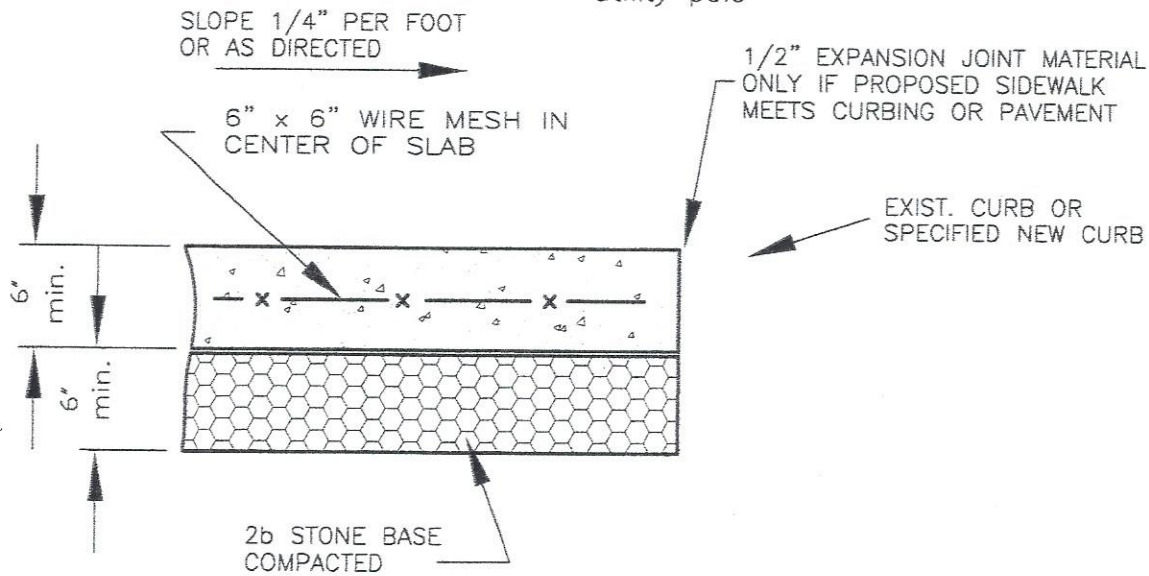
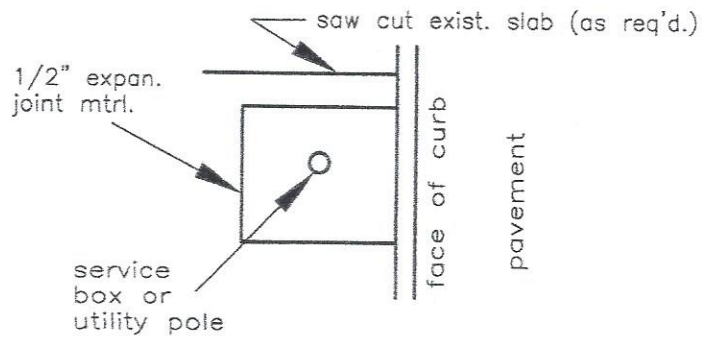
DRAWN BY: R.A.D.	REVISIONS: .	SCALE: N. T. S.
------------------	--------------	-----------------

BOROUGH OF BRADDOCK SEWER SYSTEM
STORM INLET REPLACEMENT DETAIL

GLENN ENGINEERING & ASSOCIATES LTD. Registered Engineers - North Huntingdon, PA	DRAWING NO.:
--	--------------



NOTE :
 ANY PAVEMENT OR CURB DAMAGED SHALL BE REPAIRED AT CONTRACTOR'S EXPENSE TO ENGINEER'S SPECIFICATION



DESIGN BY: R.A.D.	CHECKED BY:	DATE: 08/29/97
DRAWN BY: R.A.D.	REVISIONS:	SCALE: N. T. S.

TYPICAL SIDEWALK DETAIL
 INSTALLATION DETAILS

GLENN ENGINEERING & ASSOCIATES LTD. Registered Engineers - North Huntingdon, PA	DRAWING NO.: IX : 3.05 : 04
--	--------------------------------

